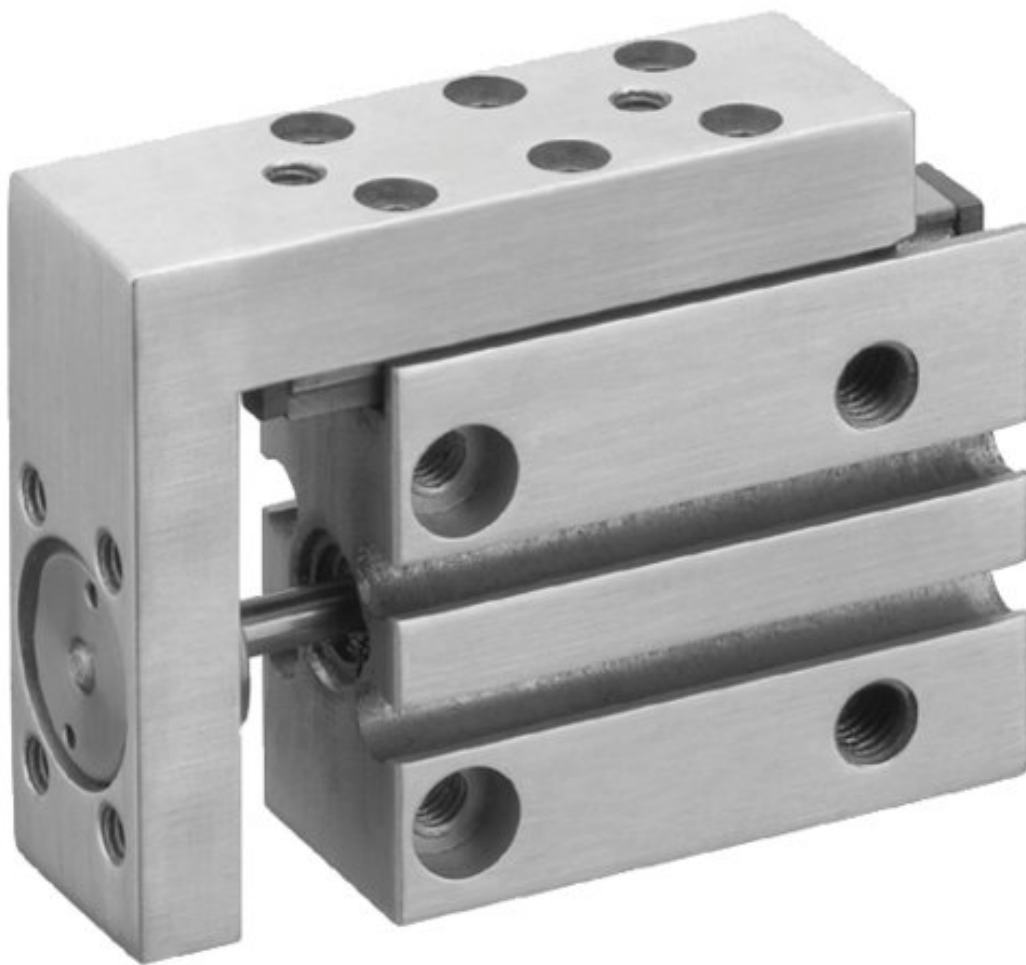


## Series MSN



AVENTICS™ Series MSN



# Mini slide, Series MSN

- narrow version
- Ø 6-16 mm
- double-acting
- with magnetic piston
- Cushioning elastic
- with integrated ball rail guide



Working pressure min./max.	See table below
Ambient temperature min./max.	0 ... 60 °C
Medium	Compressed air
Max. particle size	5 µm
Oil content of compressed air	0 ... 1 mg/m <sup>3</sup>
Pressure for determining piston forces	6.3 bar
Weight	See table below

## Technical data

Piston Ø	6 mm	10 mm	16 mm
Stroke 5	0821406500	0821406506	0821406512
10	0821406501	0821406507	0821406513
15	0821406502	0821406508	0821406514
20	0821406503	0821406509	0821406515
25	0821406504	0821406510	0821406516
30	0821406505	0821406511	0821406517

## Technical data

Piston Ø 2x	6 mm	10 mm	16 mm
Working pressure min./max.	2.5 ... 10 bar	1 ... 10 bar	1 ... 10 bar
Retracting piston force, theoretical	13 N	42 N	95 N
Extracting piston force, theoretical	18 N	49 N	127 N
Speed max.	0.5 m/s	0.8 m/s	0.8 m/s
Cushioning energy	0.01 J	0.05 J	0.15 J

## Technical information

The pressure dew point must be at least 15 °C under ambient and medium temperature and may not exceed 3 °C .

The oil content of compressed air must remain constant during the life cycle.

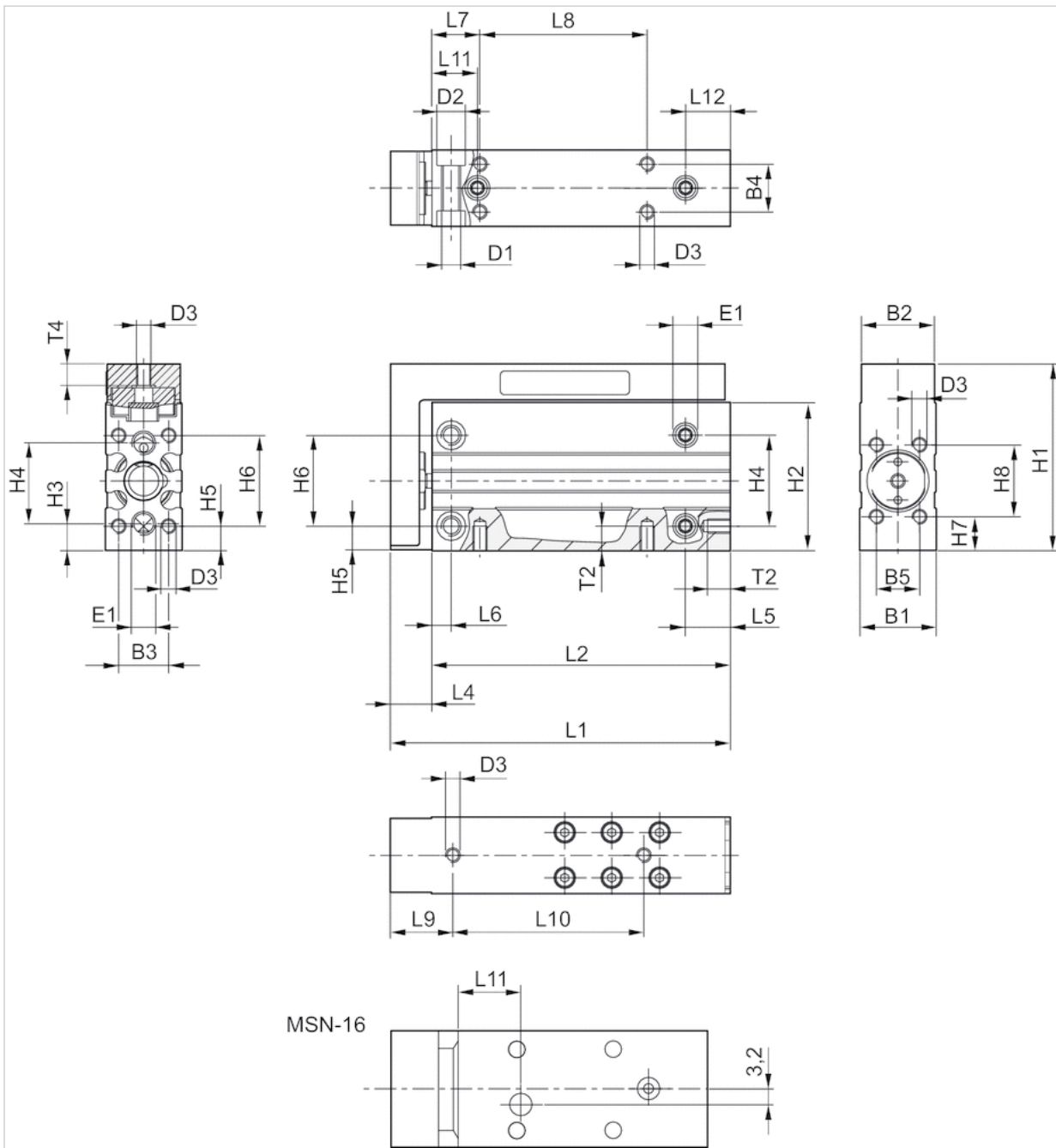
Use only the approved oils from AVENTICS. Further information can be found in the “Technical information” document (available in the MediaCentre).

## Technical information

Material	
Housing	Aluminum, anodized
Piston rod	Stainless steel
Seal	Polyurethane
Ball rail table	Aluminum, anodized
Guide rail	Steel, hardened

# Dimensions

## MSN-6/-10/-16



## MSN-6/-10/-16

Piston Ø	B1	B2	B3	B4	B5	D1	D2	D3	E1 Compressed air connection	H1	H2	H3	H4	H5	H6	H7
6 mm	16	15.3	10.5	10	9	M4	6	M3	M5	39	31	5.5	17	5	19	7
10 mm	20	19.3	13	13	11	M5	7.5	M4	M5	45	36	6.5	20	5	23	7.5
16 mm	24	23.3	17	17	16	M5	7.5	M4	M5	51	41	6	25	5.5	27	6

H8
15
18
26

## MSN-6

Piston Ø	Stroke	L1	L2	L4	L5	L6	L7	L8	L9	L10	L11	L12	T2	T4
6 mm	5	46	37.5	8.5	10	4	10	10	13	20	9.5	9.5	4.8	5
6 mm	10	51	42.5	8.5	10	4	10	15	13	20	9.5	9.5	4.8	5
6 mm	15	56	47.5	8.5	10	4	10	20	13	25	9.5	9.5	4.8	5
6 mm	20	61	52.5	8.5	10	4	10	25	13	30	9.5	9.5	4.8	5
6 mm	25	66	57.5	8.5	10	4	10	30	13	40	9.5	9.5	4.8	5
6 mm	30	71	62.5	8.5	10	4	10	35	13	40	9.5	9.5	4.8	5

## MSN-10

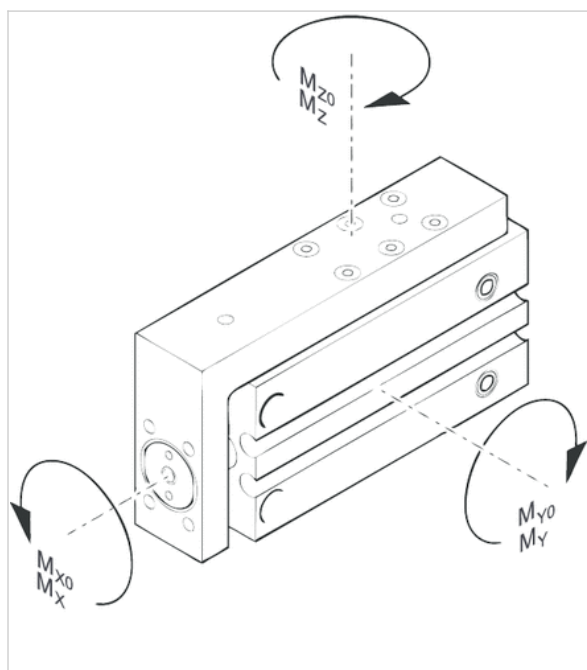
Piston Ø	Stroke	L1	L2	L4	L5	L6	L7	L8	L9	L10	L11	L12	T2	T4
10 mm	5	51.5	40	11.5	12.5	5	12	10	15	14	11	9.5	6	5.5
10 mm	10	56.5	45	11.5	12.5	5	12	14	15	19	11	9.5	6	5.5
10 mm	15	61.5	50	11.5	12.5	5	12	18	15	25	11	9.5	6	5.5
10 mm	20	66.5	55	11.5	12.5	5	12	24	15	30	11	9.5	6	5.5
10 mm	25	73.5	62	11.5	12.5	5	12	32	15	40	12	10.5	6	5.5
10 mm	30	78.5	67	11.5	12.5	5	12	35	15	45	12	10.5	6	5.5

## MSN-16

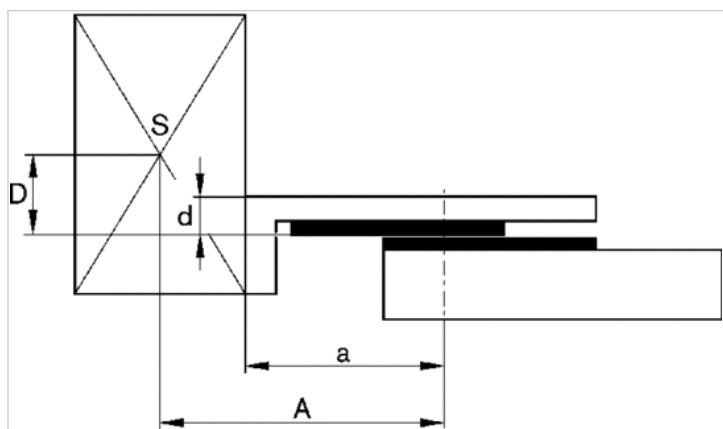
Piston Ø	Stroke	L1	L2	L4	L5	L6	L7	L8	L9	L10	L11	L12	T2	T4
16 mm	5	66	52	14	12.5	5	12	20	18	24	13	12.5	6	6
16 mm	10	66	52	14	12.5	5	12	20	18	35	13	12.5	6	6
16 mm	15	76	62	14	12.5	5	12	30	18	45	13.5	12.5	6	6
16 mm	20	76	62	14	12.5	5	12	30	18	50	13.5	12.5	6	6
16 mm	25	86	72	14	12.5	5	12	40	18	50	17.5	12.5	6	6
16 mm	30	91	77	14	12.5	5	12	45	18	55	17.5	12.5	6	6

## Dimensions

M = max. permissible torque



correction factor (a, d)



correction factor (a, d)

Piston Ø	Stroke	a [mm]	d [mm]	Mx0 Static moment M [Nm]
6 mm	5	27	6	3
6 mm	10	32	6	3
6 mm	15	32	6	3
6 mm	20	37	6	3
6 mm	25	42	6	3
6 mm	30	47	6	3
10 mm	5	31	6.8	2.3
10 mm	10	36	6.8	2.3
10 mm	15	41	6.8	2.3
10 mm	20	41	6.8	3.2
10 mm	25	48	6.8	3.2

Piston Ø	Stroke	a [mm]	d [mm]	Mx0 Static moment M [Nm]
10 mm	30	53	6.8	3.2
16 mm	5	40	7.5	6.8
16 mm	10	40	7.5	6.8
16 mm	15	50	7.5	6.8
16 mm	20	50	7.5	6.8
16 mm	25	55	7.5	10
16 mm	30	60	7.5	10

My0 Static moment M [Nm]	Mz0 Static moment M [Nm]	Mx Dynamic moment M [Nm]
3.2	3.2	0.6
3.2	3.2	0.6
3.2	3.2	0.6
3.2	3.2	0.6
3.2	3.2	0.6
3.2	3.2	0.6
3.2	3.2	0.6
2.4	2.4	0.6
2.4	2.4	0.6
2.4	2.4	0.6
3.3	3.3	0.7
3.3	3.3	0.7
3.3	3.3	0.7
6.9	6.9	1.7
6.9	6.9	1.7
6.9	6.9	1.7
6.9	6.9	1.7
12.3	12.3	1.9
12.3	12.3	1.9

My Dynamic moment M [Nm]	Mz Dynamic moment M [Nm]
0.9	0.9
0.9	0.9
0.9	0.9
0.9	0.9
0.9	0.9
0.9	0.9
0.9	0.9
0.8	0.8
0.8	0.8
0.8	0.8
1.2	1.2
1.2	1.2
1.2	1.2
2.1	2.1
2.1	2.1
2.1	2.1
2.1	2.1
2.7	2.7
2.7	2.7

Weight [kg]

Piston Ø	Stroke	Weight kg
6 mm	5	0.071 kg
6 mm	10	0.078 kg
6 mm	15	0.084 kg
6 mm	20	0.089 kg
6 mm	25	0.104 kg
6 mm	30	0.11 kg
10 mm	5	0.112 kg
10 mm	10	0.122 kg
10 mm	15	0.131 kg
10 mm	20	0.147 kg
10 mm	25	0.159 kg
10 mm	30	0.17 kg
16 mm	5	0.231 kg
16 mm	10	0.231 kg
16 mm	15	0.262 kg
16 mm	20	0.262 kg
16 mm	25	0.295 kg
16 mm	30	0.295 kg

Dimensions

horizontal

stat.	$M_{B0} = F_G \cdot A + F \cdot D$
dyn.	$M_B = F_G \cdot A$

stat.	$M_{C0} = F_G \cdot B$
dyn.	$M_C = F_G \cdot B$

stat.	$M_{A0} = F \cdot B$
dyn.	$M_A = 0$

dyn.	$\frac{M_A}{M_1} + \frac{M_B}{M_2} + \frac{M_C}{M_3} \leq 1$
stat.	$\frac{M_{A0}}{M_{Z0}} + \frac{M_{B0}}{M_{V0}} + \frac{M_{C0}}{M_{X0}} \leq 1$

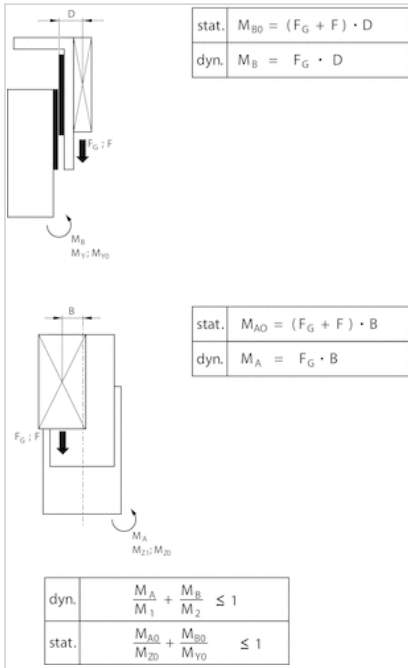
$F = m \cdot a$   
 $FG = m \cdot g$   
 $a = 1250 \cdot V^2 / H$

$F =$  deceleration force [N]  
 $FG =$  force due to weight [N]  
 $m =$  load mass [kg]



$a$  = deceleration [m/s<sup>2</sup>]  
 $g$  = gravitational acceleration 9,81 [m/s<sup>2</sup>]  
 $V$  = velocity [m/s]  
 $H$  = stroke length of shock absorber [mm]

vertical

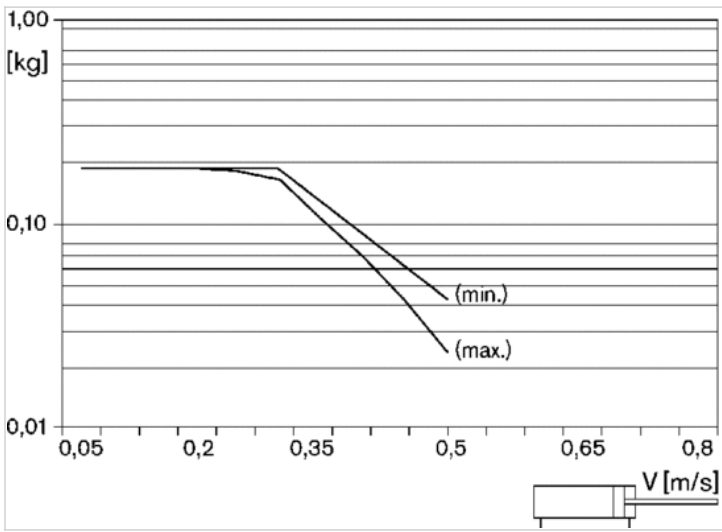


$F = m \cdot a$   
 $FG = m \cdot g$   
 $a = 1250 \cdot V^2 / H$

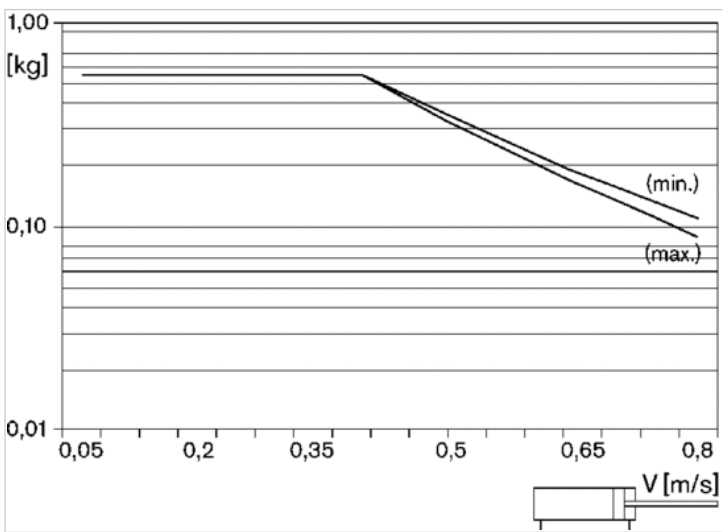
$F$  = deceleration force [N]  
 $FG$  = force due to weight [N]  
 $m$  = load mass [kg]  
 $a$  = deceleration [m/s<sup>2</sup>]  
 $g$  = gravitational acceleration 9,81 [m/s<sup>2</sup>]  
 $V$  = velocity [m/s]  
 $H$  = stroke length of shock absorber [mm]

## Diagrams

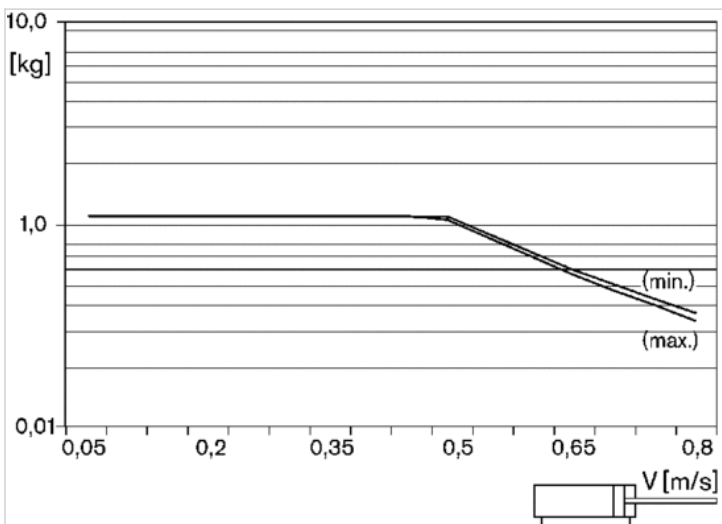
Maximum additionally moving mass (min. stroke, max. stroke), MSN - 6



Maximum additionally moving mass (min. stroke, max. stroke), MSN - 10

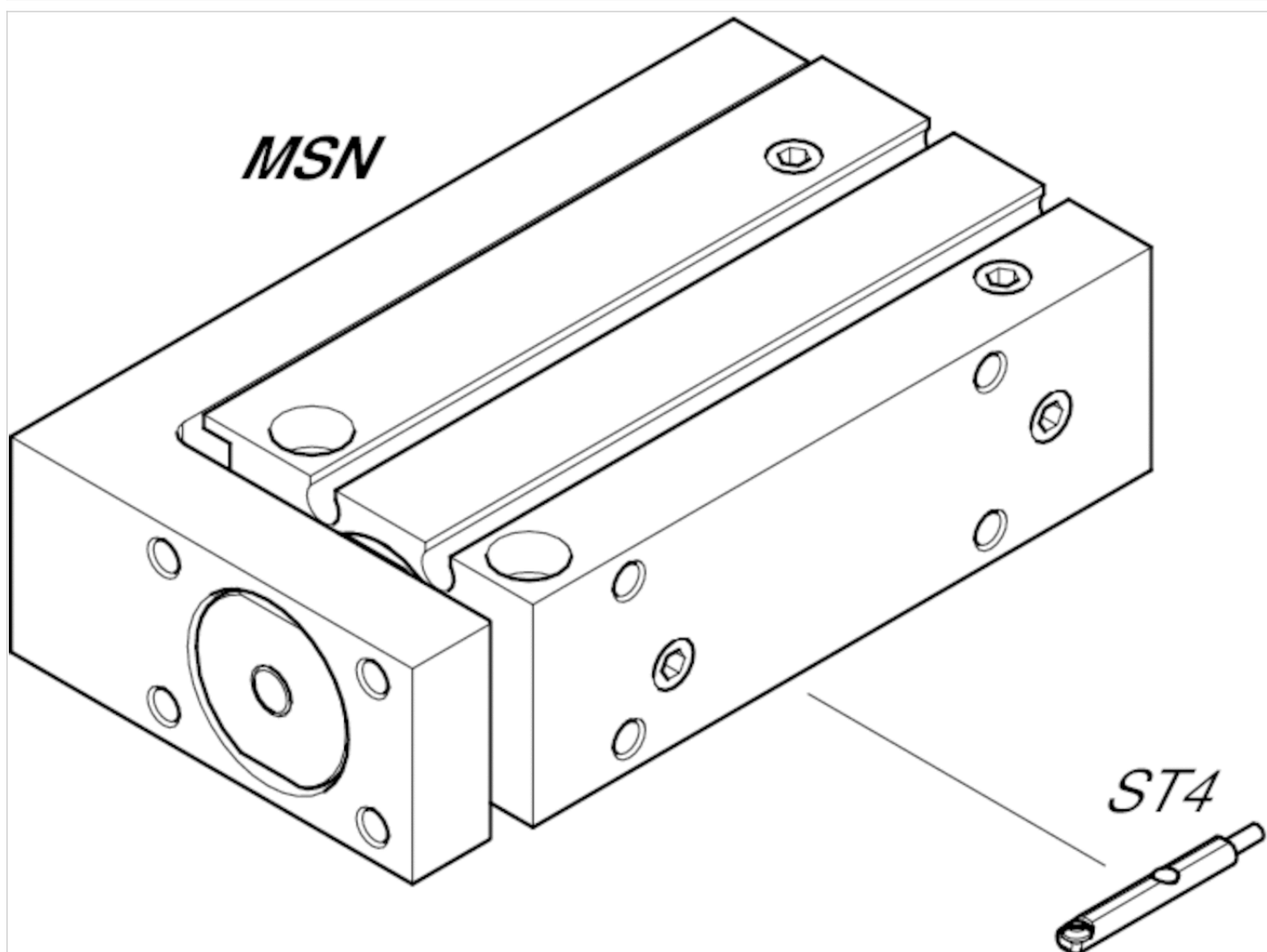


Maximum additionally moving mass (min. stroke, max. stroke), MSN-16



## Accessories overview

## Overview drawing



## NOTE:

This overview drawing is only for orientation to indicate where the various accessory parts can be fastened to the cylinder. The illustration has been simplified for this purpose. It is thus not possible to derive the dimensions from this overview.

# Sensor, Series ST4

- 4 mm T-slot
- with cable
- Plug, M8, 3-pin, with knurled screw
- UL certification
- Reed electronic PNP
- Direct mounting for series PRA, SSI, GSU, RTC, CKP, GPC, MSC, MSN, RCM, CVI
- Indirect mounting for series MNI, CSL-RD, ICM



Certificates	UL (Underwriters Laboratories) cULus RoHS
Ambient temperature min./max.	-30 ... 80 °C
Protection class	IP65, IP67
Switching point precision	±0,1 mT
Min./max. DC operating voltage	See table below
Switching logic	NO (make contact)
Display	LED
LED status display	Yellow
Vibration resistance	10 - 55 Hz, 1 mm
Shock resistance	30 g / 11 ms
Cable length L	0.3 0.5 m
Mounting screw	Combination: slotted and hexagon socket

## Technical data

Part No.		for
R412019490		PRA, SSI, GSU, RTC, CKP, GPC, MSC, MSN, RCM, CVI
R412019686		PRA, SSI, GSU, RTC, CKP, GPC, MSC, MSN, RCM, CVI
R412019493		PRA, SSI, GSU, RTC, CKP, GPC, MSC, MSN, RCM, CVI
R412019687		PRA, SSI, GSU, RTC, CKP, GPC, MSC, MSN, RCM, CVI

Part No.	Type of contact	Cable length L	Min./max. DC operating voltage
R412019490	Reed	0.3 m	5 ... 30 V DC
R412019686	Reed	0.5 m	5 ... 30 V DC
R412019493	electronic PNP	0.3 m	10 ... 30 V DC
R412019687	electronic PNP	0.5 m	10 ... 30 V DC

Part No.	Voltage drop U at I <sub>max</sub>	DC switching current, max.
R412019490	≤ 0,5 V	0.13 A
R412019686	≤ 0,5 V	0.13 A
R412019493	≤ 2,5 V	0.1 A
R412019687	≤ 2,5 V	0.1 A

Part No.	AC switching current, max.	Switching capacity
R412019490	0.13 A	3 W / 3 VA

Part No.	AC switching current, max.	Switching capacity
R412019686	0.13 A	3 W / 3 VA
R412019493	-	-
R412019687	-	-

Part No.	Version
R412019490	Protected against polarity reversal
R412019686	Protected against polarity reversal
R412019493	short circuit resistant Protected against polarity reversal
R412019687	short circuit resistant Protected against polarity reversal

## Technical information

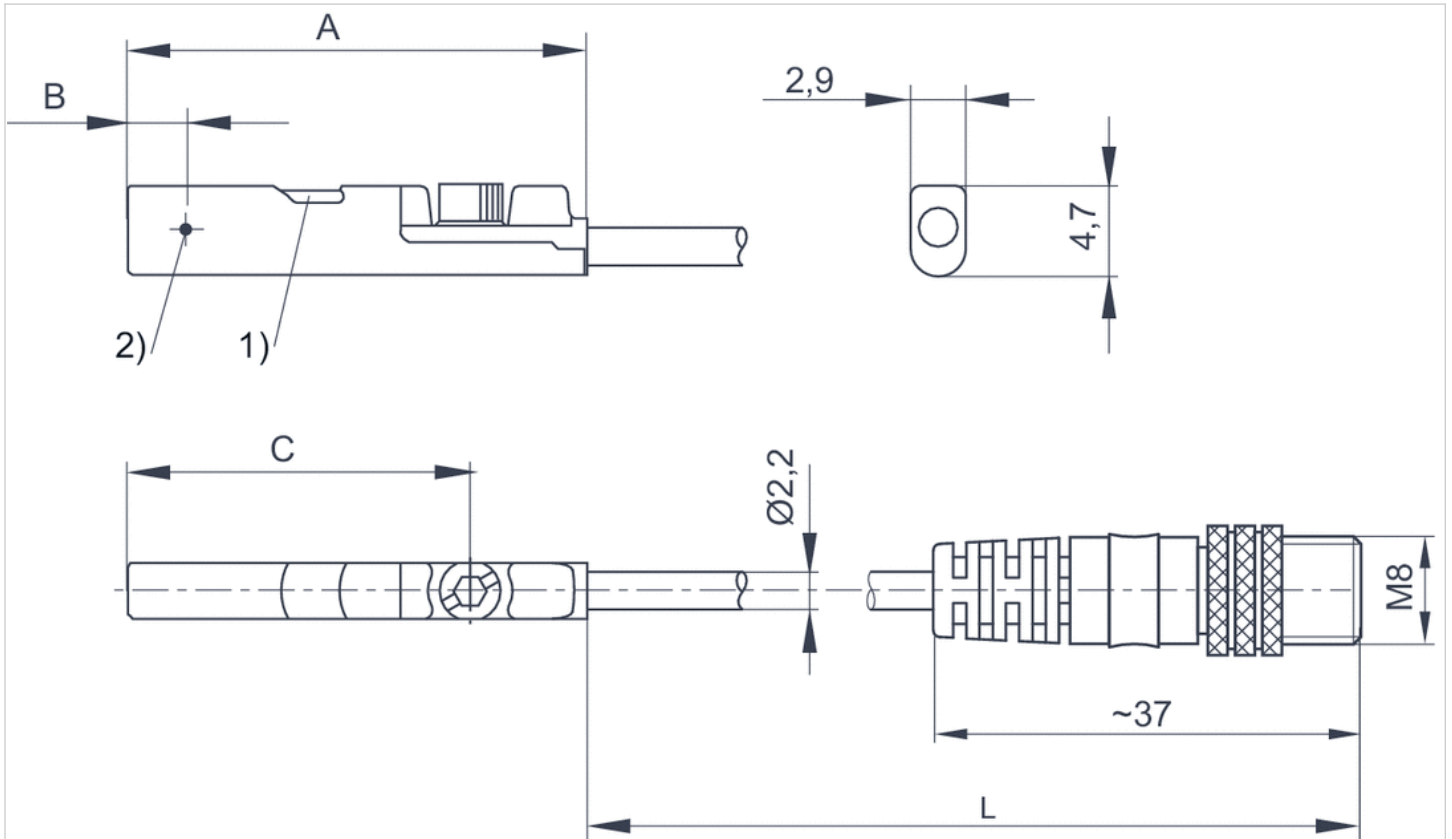
The max. switching capacity must not be exceeded.

## Technical information

Material	
Housing	Polyamide fiber-glass reinforced
Cable sheath	Polyurethane

## Dimensions

### Dimensions



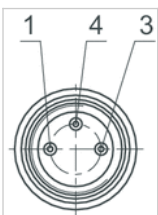
1) LED 2) Switching point  
L = cable length

## Dimensions

Part No.	A	B	C
R412019490	26.3	6.3	20.3
R412019686	26.3	6.3	20.3
R412019493	23.7	2.8	17.7
R412019687	23.7	2.8	17.7

## Pin assignments

### Pin assignments



Pin	1	3	4
Allocation	(+)	(-)	(OUT)

# Sensor, Series ST4

- 4 mm T-slot
- with cable
- Plug, M8, 3-pin
- UL certification
- Reed electronic PNP electronic NPN
- Direct mounting for series PRA, SSI, GSU, RTC, CKP, GSP, MSC, MSN, RCM, CVI
- Indirect mounting for series MNI, CSL-RD, ICM



Certificates	UL (Underwriters Laboratories) cULus RoHS
Ambient temperature min./max.	-30 ... 80 °C
Protection class	IP65, IP67
Switching point precision	±0,1 mT
Min./max. DC operating voltage	See table below
Switching logic	NO (make contact)
Display	LED
LED status display	Yellow
Vibration resistance	10 - 55 Hz, 1 mm
Shock resistance	30 g / 11 ms
Cable length L	0.3 m
Mounting screw	Combination: slotted and hexagon socket

## Technical data

Part No.		for
R412019682		PRA, SSI, GSU, RTC, CKP, GSP, MSC, MSN, RCM, CVI
R412019683		PRA, SSI, GSU, RTC, CKP, GSP, MSC, MSN, RCM, CVI
R412019694		PRA, SSI, GSU, RTC, CKP, GSP, MSC, MSN, RCM, CVI

Part No.	Type of contact	Cable length L	Min./max. DC operating voltage
R412019682	Reed	0.3 m	5 ... 30 V DC
R412019683	electronic PNP	0.3 m	10 ... 30 V DC
R412019694	electronic NPN	0.3 m	10 ... 30 V DC

Part No.	Voltage drop U at I <sub>max</sub>	DC switching current, max.
R412019682	≤ 0,5 V	0.13 A
R412019683	≤ 2,5 V	0.1 A
R412019694	≤ 2,5 V	0.1 A

Part No.	AC switching current, max.	Switching capacity
R412019682	0.13 A	3 W / 3 VA
R412019683	-	-
R412019694	-	-



Part No.	Version
R412019682	Protected against polarity reversal
R412019683	short circuit resistant Protected against polarity reversal
R412019694	short circuit resistant Protected against polarity reversal

## Technical information

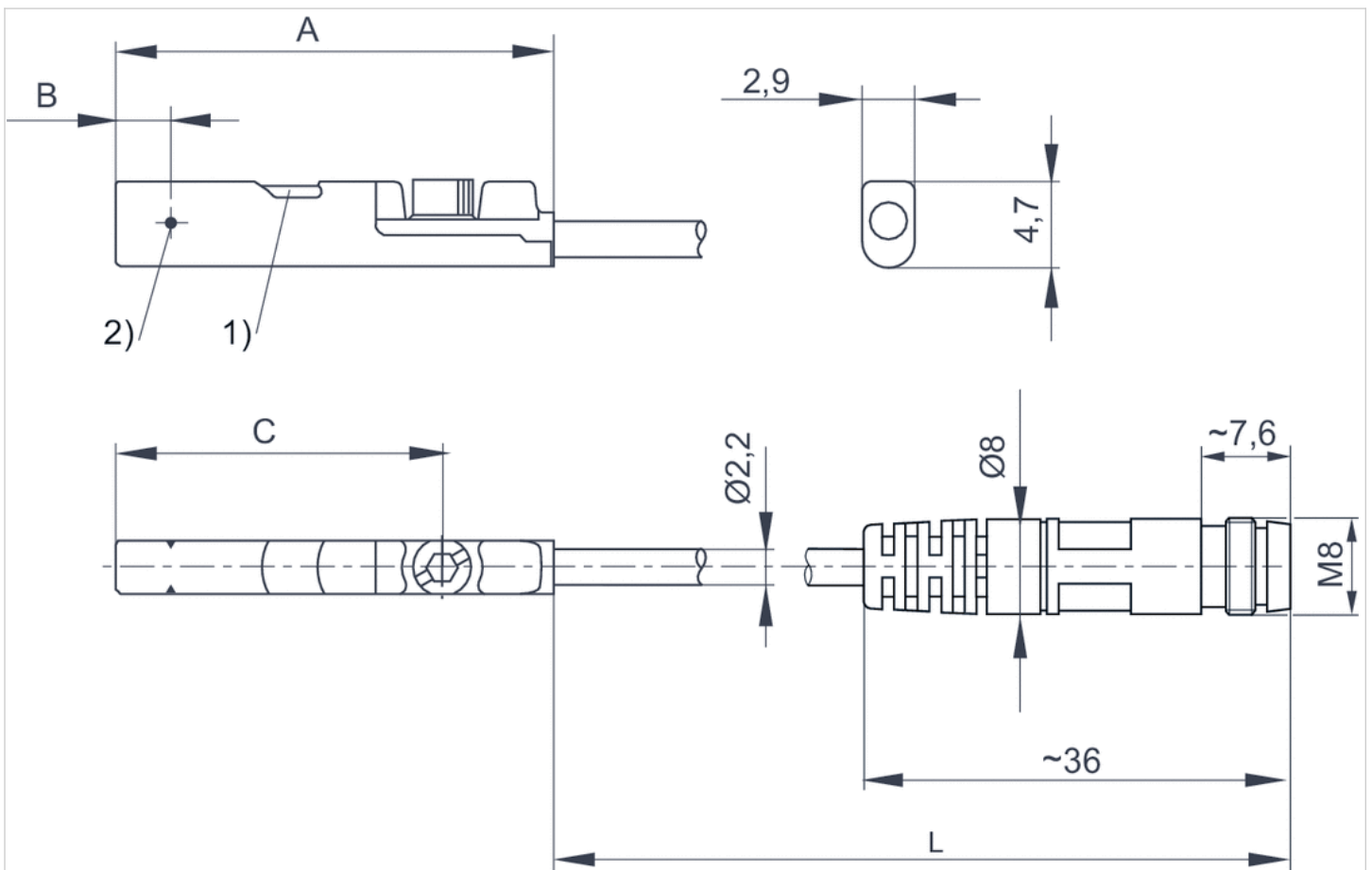
The max. switching capacity must not be exceeded.

## Technical information

Material	
Housing	Polyamide fiber-glass reinforced
Cable sheath	Polyurethane

## Dimensions

### Dimensions



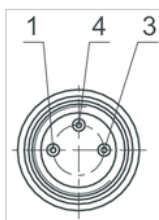
1) LED 2) Switching point  
L = cable length

## Dimensions

Part No.	A	B	C
R412019682	26.3	6.3	20.3
R412019683	23.7	2.8	17.7
R412019694	23.7	2.8	17.7

## Pin assignments

### Pin assignments



Pin	1	3	4
Allocation	(+)	(-)	(OUT)

# Sensor, Series ST4

- 4 mm T-slot
- with cable
- open cable ends, 3-pin
- UL certification
- Reed electronic PNP electronic NPN
- Direct mounting for series PRA, SSI, GSU, RTC, CKP, GPC, MSC, MSN, RCM, CVI
- Indirect mounting for series MNI, CSL-RD, ICM



Certificates	UL (Underwriters Laboratories) cULus RoHS
Ambient temperature min./max.	-30 ... 80 °C
Protection class	IP65, IP67
Switching point precision	±0,1 mT
Min./max. DC operating voltage	See table below
Switching logic	NO (make contact)
Display	LED
LED status display	Yellow
Vibration resistance	10 - 55 Hz, 1 mm
Shock resistance	30 g / 11 ms
Cable length L	3 5 m
Mounting screw	Combination: slotted and hexagon socket

## Technical data

Part No.		for
R412019488		PRA, SSI, GSU, RTC, CKP, GPC, MSC, MSN, RCM, CVI
R412019489		PRA, SSI, GSU, RTC, CKP, GPC, MSC, MSN, RCM, CVI
R412019680		PRA, SSI, GSU, RTC, CKP, GPC, MSC, MSN, RCM, CVI
R412019681		PRA, SSI, GSU, RTC, CKP, GPC, MSC, MSN, RCM, CVI
R412019684		PRA, SSI, GSU, RTC, CKP, GPC, MSC, MSN, RCM, CVI
R412019685		PRA, SSI, GSU, RTC, CKP, GPC, MSC, MSN, RCM, CVI

Part No.	Type of contact	Cable length L	Min./max. DC operating voltage
R412019488	Reed	3 m	5 ... 30 V DC
R412019489	Reed	5 m	5 ... 30 V DC
R412019680	electronic PNP	3 m	10 ... 30 V DC
R412019681	electronic PNP	5 m	10 ... 30 V DC
R412019684	electronic NPN	3 m	10 ... 30 V DC
R412019685	electronic NPN	5 m	10 ... 30 V DC

Part No.	Voltage drop U at I <sub>max</sub>	DC switching current, max.
R412019488	≤ 0,5 V	0.13 A
R412019489	≤ 0,5 V	0.13 A
R412019680	≤ 2,5 V	0.1 A
R412019681	≤ 2,5 V	0.1 A

Part No.	Voltage drop U at I <sub>max</sub>	DC switching current, max.
R412019684	≤ 2,5 V	0.1 A
R412019685	≤ 2,5 V	0.1 A

Part No.	AC switching current, max.	Switching capacity
R412019488	0.13 A	3 W / 3 VA
R412019489	0.13 A	3 W / 3 VA
R412019680	-	-
R412019681	-	-
R412019684	-	-
R412019685	-	-

Part No.	Version
R412019488	Protected against polarity reversal
R412019489	Protected against polarity reversal
R412019680	short circuit resistant Protected against polarity reversal
R412019681	short circuit resistant Protected against polarity reversal
R412019684	short circuit resistant Protected against polarity reversal
R412019685	short circuit resistant Protected against polarity reversal

## Technical information

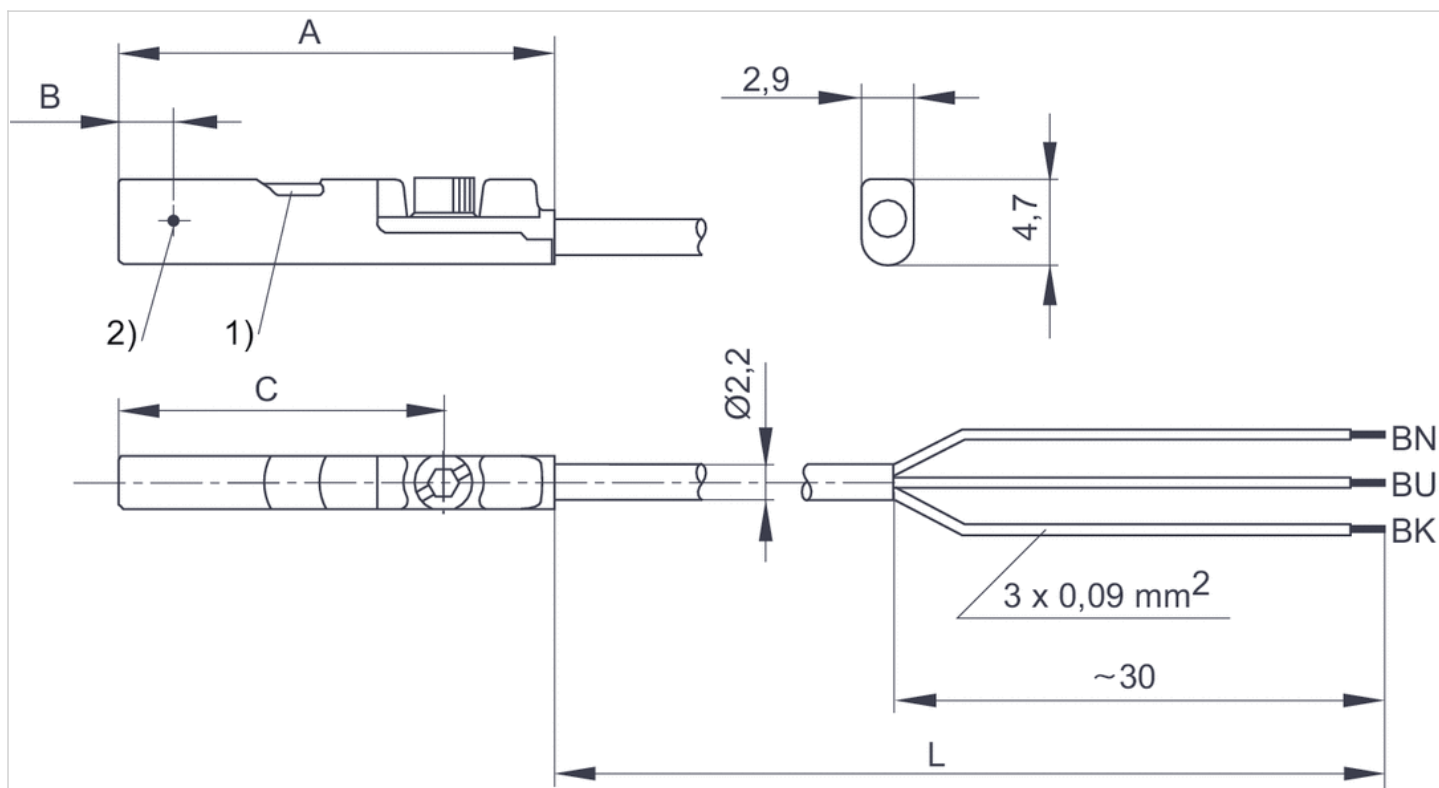
The max. switching capacity must not be exceeded.

## Technical information

Material	
Housing	Polyamide fiber-glass reinforced
Cable sheath	Polyurethane

## Dimensions

### Dimensions



1) LED 2) Switching point

L = cable length

BN = brown, BK = black, BU = blue

## Dimensions

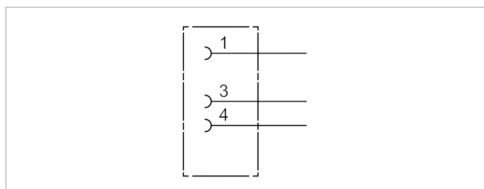
Part No.	A	B	C
R412019488	26.3	6.3	20.3
R412019489	26.3	6.3	20.3
R412019680	23.7	2.8	17.7
R412019681	23.7	2.8	17.7
R412019684	23.7	2.8	17.7
R412019685	23.7	2.8	17.7

# Round plug connector, Series CON-RD

- Socket, M8x1, 3-pin, A-coded, straight, 180°
- UL (Underwriters Laboratories)
- unshielded



Connection type	Soldering
Ambient temperature min./max.	-25 ... 80 °C
Operational voltage	48 V AC/DC
Protection class	IP67
Weight	0.009 kg



## Technical data

Part No.	Max. current	suitable cable-Ø min./max
1834484173	4 A	3.5 / 5 mm

## Technical information

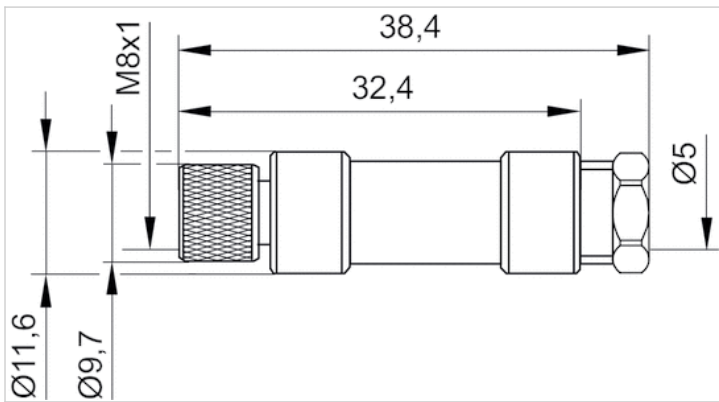
The specified protection class is only valid in assembled and tested state.

## Technical information

Material	
Housing	Polyamide

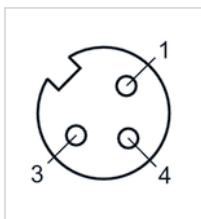
## Dimensions

### Dimensions



## Pin assignments

### Pin assignment, socket

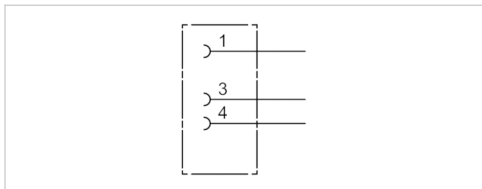


# Round plug connector, Series CON-RD

- Socket, M8x1, 3-pin, A-coded, angled, 90°
- UL (Underwriters Laboratories)
- unshielded



Connection type	Soldering
Ambient temperature min./max.	-40 ... 85 °C
Operational voltage	48 V AC/DC
Protection class	IP67
Weight	0.01 kg



## Technical data

Part No.	Max. current	Contact assignment	suitable cable-Ø min./max
1834484174	4 A	3	3.5 / 5 mm

## Technical information

The specified protection class is only valid in assembled and tested state.

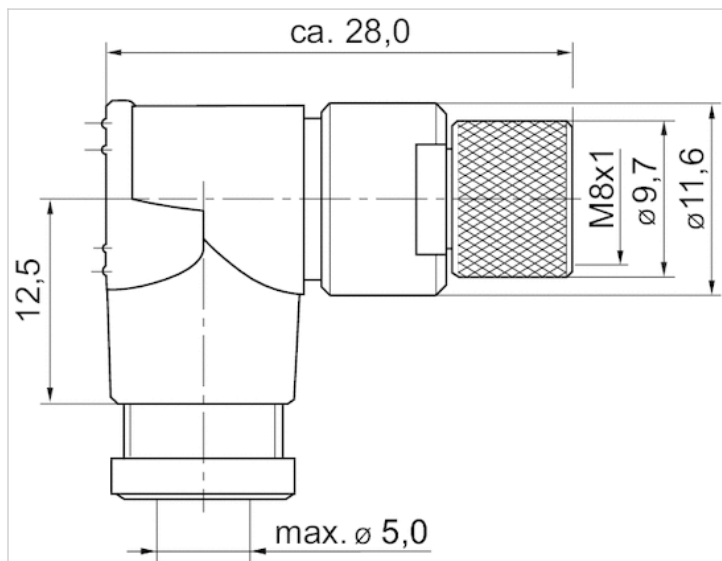
## Technical information

Material	
Housing	Polyamide



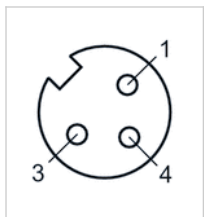
## Dimensions

### Dimensions



## Pin assignments

### Pin assignment, socket

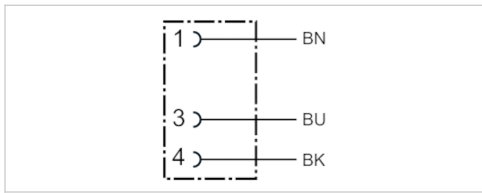


# Round plug connector, Series CON-RD

- Socket M8x1 3-pin A-coded straight 180°
- open cable ends
- with cable
- UL (Underwriters Laboratories)
- unshielded



Ambient temperature min./max.	-25 ... 85 °C
Operational voltage	48 V AC/DC
Protection class	IP67
Wire cross-section	0.24 mm <sup>2</sup>
Weight	See table below



## Technical data

Part No.	Max. current	Number of wires	Cable-Ø	Cable length	Certification	Weight
1834484166	4 A	3	4.5 mm	3 m	UL (Underwriters Laboratories)	0.087 kg
1834484168	4 A	3	4.5 mm	5 m	UL (Underwriters Laboratories)	0.141 kg
1834484247	4 A	3	4.5 mm	10 m	UL (Underwriters Laboratories)	0.277 kg

## Technical information

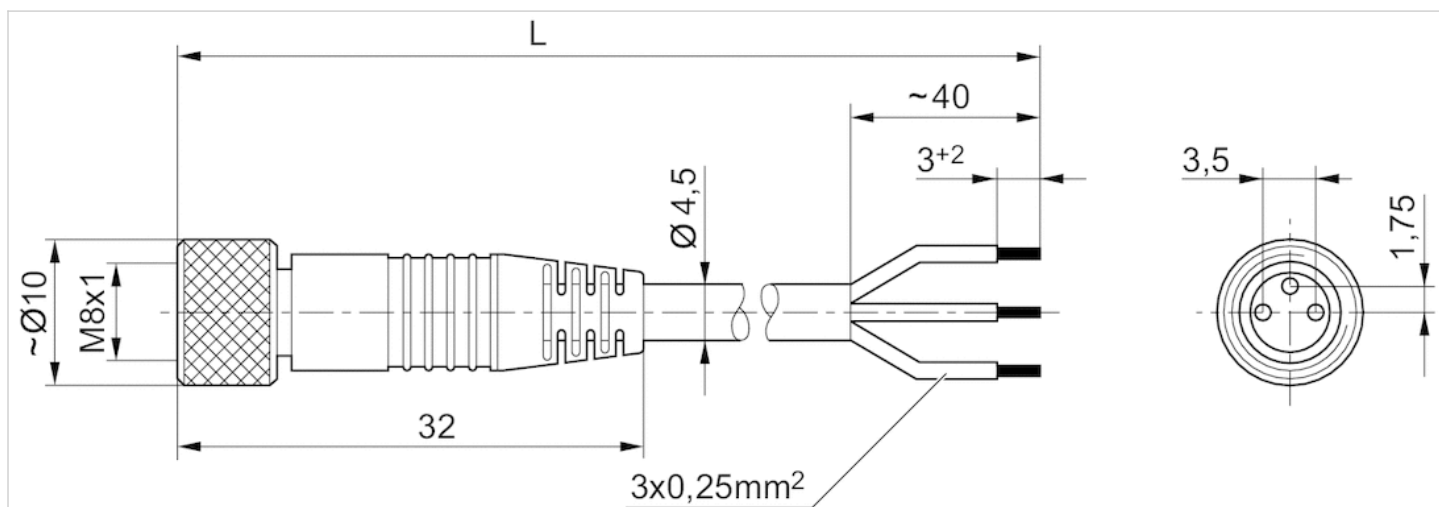
The specified protection class is only valid in assembled and tested state.

## Technical information

Material	
Housing	Polyurethane
Cable sheath	Polyurethane

## Dimensions

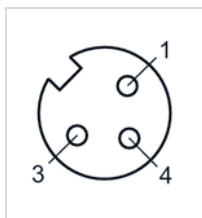
### Dimensions



$L$  = length

## Pin assignments

### Pin assignment, socket



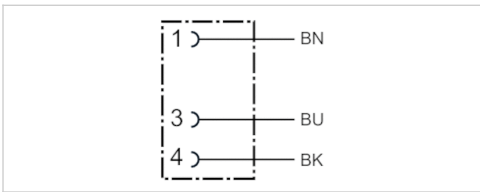
- (1) BN=brown
- (3) BU=blue
- (4) BK=black

# Round plug connector, Series CON-RD

- Socket M8x1 3-pin A-coded angled 90°
- open cable ends
- with cable
- unshielded



Ambient temperature min./max.	-40 ... 85 °C
Operational voltage	48 V AC/DC
Protection class	IP67
Wire cross-section	0.24 mm <sup>2</sup>
Weight	See table below



## Technical data

Part No.	Max. current	Number of wires	Cable-Ø	Cable length	Weight
1834484167	4 A	3	4.5 mm	3 m	0.087 kg
1834484169	4 A	3	4.5 mm	5 m	0.139 kg
1834484248	4 A	3	4.5 mm	10 m	0.279 kg

## Technical information

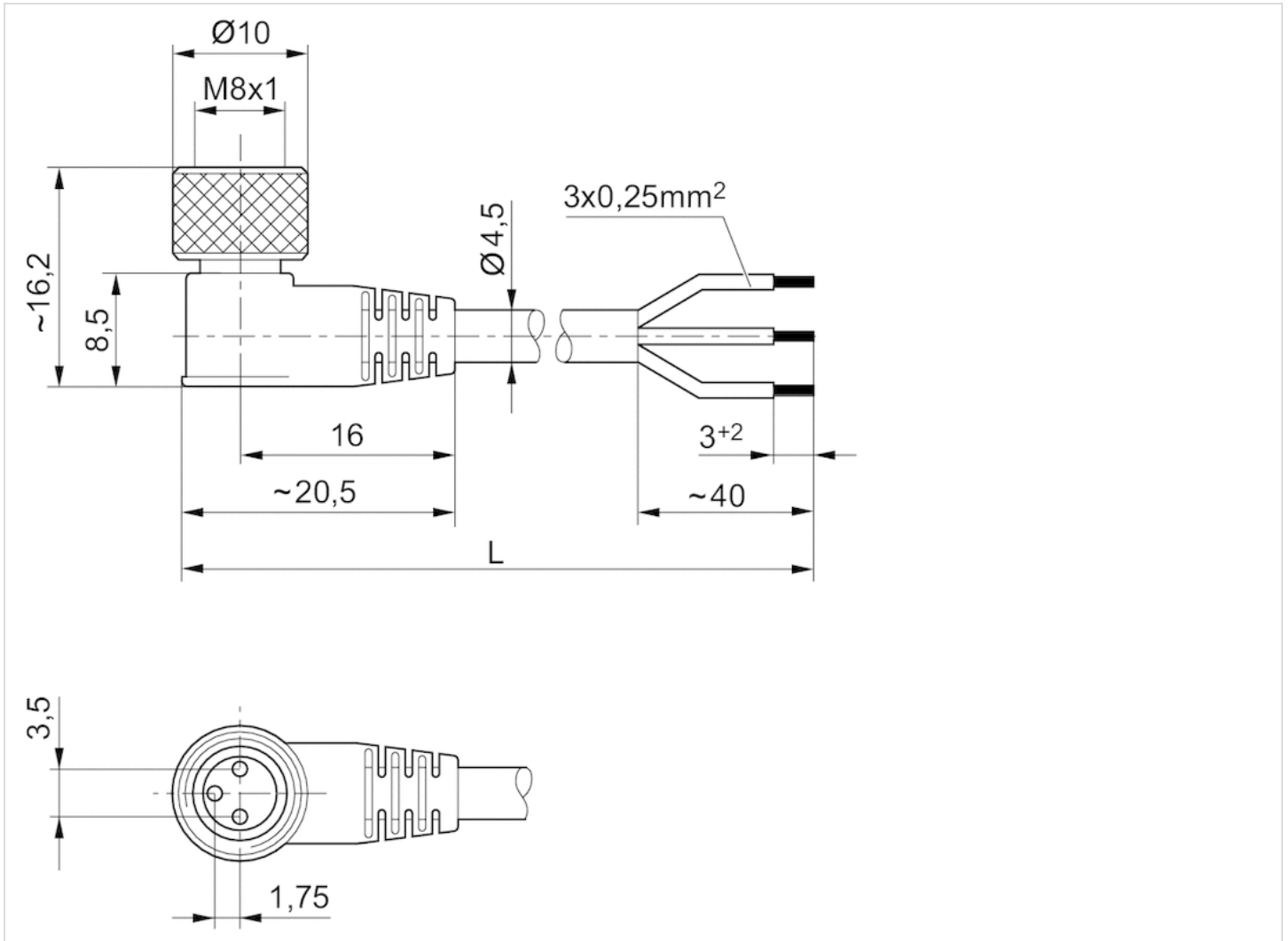
The specified protection class is only valid in assembled and tested state.

## Technical information

Material	
Housing	Polyurethane
Cable sheath	Polyurethane

## Dimensions

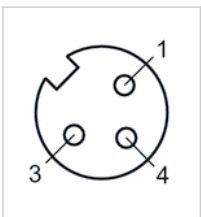
### Dimensions



L = length

## Pin assignments

### Pin assignment, socket



- (1) BN=brown
- (3) BU=blue
- (4) BK=black

# Efficient pneumatic solutions, our program: cylinders and drives, valves and valve systems, air supply management



Visit us: [Emerson.com/Aventics](https://www.emerson.com/Aventics)

Your local contact: [Emerson.com/contactus](https://www.emerson.com/contactus)



Emerson.com



[Facebook.com/EmersonAutomationSolutions](https://www.facebook.com/EmersonAutomationSolutions)



[LinkedIn.com/company/Emerson-Automation-Solutions](https://www.linkedin.com/company/Emerson-Automation-Solutions)



[Twitter.com/EMR\\_Automation](https://twitter.com/EMR_Automation)

An example configuration is depicted on the title page. The delivered product may thus vary from that in the illustration. Subject to change. This Document, as well as the data, specifications and other information set forth in it, are the exclusive property of AVENTICS GmbH. It may not be reproduced or given to third parties without its consent. Only use the AVENTICS products shown in industrial applications. Read the product documentation completely and carefully before using the product. Observe the applicable regulations and laws of the respective country. When integrating the product into applications, note the system manufacturer's specifications for safe use of the product. The data specified only serve to describe the product. No statements concerning a certain condition or suitability for a certain application can be derived from our information. The information given does not release the user from the obligation of own judgment and verification. It must be remembered that the products are subject to a natural process of wear and aging.

The Emerson logo is a trademark and service mark of Emerson Electric Co. Brand logotype are registered trademarks of one of the Emerson family of companies. All other marks are the property of their respective owners. © 2017 Emerson Electric Co. All rights reserved.  
2019-03



**CONSIDER IT SOLVED™**